

# BOMANN®

## MULTIZERKLEINERER MZ 449 CB

Universele hakmachine • Hachoir multifonction • Cortador de alimentos múltiple  
Multi tritatore • Multi Chopper • Uniwersalna krajalnica • Multifunkciós aprító  
Прилад для нарізання • Универсальный миксер • مبدشة متعددة الأغراض



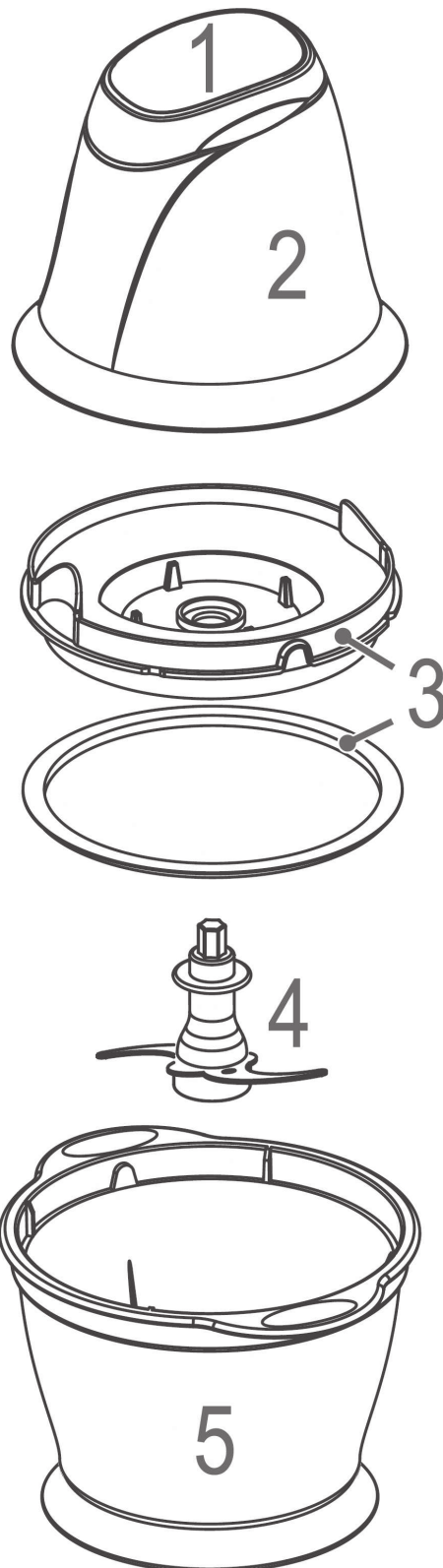
### Bedienungsanleitung/Garantie

Gebruiksaanwijzing • Mode d'emploi • Instrucciones de servicio  
Istruzioni per l'uso • Instruction Manual • Instrukcja obsługi/Gwarancja  
Használati utasítás • Інструкція з експлуатації  
Руководство по эксплуатации • دليل التعليمات

CE

## Übersicht der Bedienelemente

Overzicht van de bedieningselementen • Liste des différents éléments de commande  
Indicación de los elementos de manejo • Elementi di comando • Overview of the Components  
Przegląd elementów obsługi • A kezelőelemek áttekintése  
Огляд елементів управління • Обзор деталей прибора • نظرة عامة على المكونات



## Instruction Manual

Thank you for selecting our product. We hope that you will enjoy use of the appliance.

### Symbols in this user manual

Important notes for your safety are marked distinctively. Pay absolute attention to them to avoid accidents and damage to the device:

#### **WARNING:**

Warns of dangers for your health and indicates potential risks of injury.

#### **CAUTION:**

Indicates potential dangers for the device or other objects.

#### **NOTE:**

Highlights tips and information for you.

### General Notes

Before using this device, carefully read this user manual and keep it together with the Warranty Certificate, cashier receipt and if possible, the original package inclusive its interior packing. If you hand on the device to any third person, include the user manual as well.

- Use the device for private and its intended purpose only. The device is not intended for commercial use.
- Do not use the device outdoors. Protect it from heat, direct sunlight, humidity (do not immerse into liquids under any circumstances) and sharp edges. Do not use the device with wet hands. If the device gets wet, unplug it immediately.
- Always switch off and unplug the device (pull the plug, not the cable) when you do not use the device, or when you attach accessories, during cleaning or malfunctioning.
- Do not leave the device **unattended** during operation. Always switch off the device when leaving the room. Unplug the device.
- Regularly check the device and cable for signs of damage. Do not continue to operate the device in case of damage.
- Do only use original parts.
- For the safety of your children, keep any packing parts (plastic bags, cartilage, Styrofoam etc.) out of their reach.

#### **WARNING!**

Don't let small children play with foils for **danger of suffocation!**

## Special Safety Precautions for this Device

### **WARNING: Risk of injury!**

- Always disconnect the appliance from the supply if it is left unattended and before assembling, disassembling or cleaning.
- Do not repair the device by yourself. Please contact authorized personnel. In order to avoid hazards, a damaged mains cable must be replaced with an equivalent cable by the manufacturer, our customer service or any other qualified specialist.
- This appliance shall not be used by children.
- Keep the appliance and its cord out of reach of children.
- Children shall not play with the appliance.

**⚠ WARNING: Risk of injury!**

- Appliances can be used by persons with reduced physical, sensory or mental capabilities or lack of experience and knowledge if they have been given supervision or instruction concerning **use of the appliance** in a safe way and if they understand the hazards involved.

**⚠ WARNING:**

- The blades of the knife are very sharp!
- Take care when handling the knife!
- There is a **risk of injury** especially when attaching/removing the knife into or from the bowl and during cleaning!

**⚠ CAUTION:**

The motor assembly must not be immersed in water for cleaning. Follow the instructions provided in the chapter “Cleaning”.

**Overview of the Components**

- 1 Switch
- 2 Motor unit
- 3 Protective cover with seal
- 4 Knife
- 5 Bowl

**Intended Use**

This appliance is intended for processing foodstuffs that can be shredded.

It is only designed for this use and should only be used for this intended purpose.

It is not suitable for stirring or mixing liquids.

Do not operate the appliance when empty.

Only use this device as instructed in this user manual. Do not use this device commercially.

No other use is intended and can cause damage or personal injuries.

The manufacturer does not assume any liability for damages resulting from improper use.

**Unpack Device**

- Take the device out of its packaging.
- Remove all packaging materials, such as foils, filling materials, cable ties and cartons.
- Check that all accessories are included in the box.

**NOTE:**

Clean manufacturing residues and dust from the device as described under “Cleaning”.

**Preparations and general information**

- Prepare the dish. Refer to the table below.
- Place the bowl onto a flat surface.

**Assembling the appliance**

1. Place the knife onto the shaft on the bottom of the bowl.

**NOTE:**

- The shaft on the bottom of the bowl drives the knife.
- Always fit the knife first. Only then fill in the food.
- The protective cover has a seal at the bottom.
- First check to make sure that the seal is positioned correctly.

- Put on the protective cover. The shaft of the tool must now protrude through the hole in the protective cover.
- Place the motor unit on the cover. In doing so, use the recesses in the safety cover.

#### Electric Connection

- Check if the mains voltage of your plug matches the voltage of the appliance from the type plate.
- Connect the mains plug to a properly installed protective contact socket.

#### **i** NOTE:

- The motor unit is fitted with a safety switch.
- If the appliance does not start, check if the motor housing, protective cover and knife are correctly fitted.

## Operation

The multi-purpose shredder has push-button operation. The motor will run as long as you keep the switch pressed down.

#### **⚠** CAUTION:

- The appliance is suited for a short-term operation of maximum 60 seconds. Allow to cool for approx. 60 seconds before using again.
- After 5 operating cycles, allow the appliance to cool down for approx. 15 – 20 minutes.

The following table comprises information for usage. You would like to use food that is not listed in the table? Make comparisons:

Apple pieces have a similar consistency as garlic cloves.

Table

Food	Preparation	Max. Quantity	ca. Duration
Boiled eggs	Shelled, quartered	300 g (1/4 pieces)	10 seconds
Herbs		150 g	15 seconds
Walnuts/ hazelnuts	Without nutshells!	200 g	15 seconds
Almonds	Without shells!	200 g	15 seconds
Garlic	Peeled	200 g	15 seconds
Onions	2 cm cubes	200 g	5-10 seconds
Parsley	Wash, destalk	30 g	10 seconds
Bread (breadcrumbs)	2 cm cubes	40 g	15 seconds
Raw meat	2 cm cubes, without bones, skin and sinews!	200 g	15 seconds
Parmesan cheese	1 cm cubes	100 g	15 seconds
Cooking chocolate	1 cm cubes ice cold	100 g	20 seconds
Carrots	1 cm cubes	200 g	15 seconds

You may also chop up **ice cubes**:

- Fill the bowl with ice cubes to max. 200 g.
- Repeatedly press the button for only a brief amount of time.

#### **i** NOTE:

The ice cubes are chopped more evenly and you may specify the granularity better.

## Cleaning

#### **⚠** WARNING:

- After use and before cleaning always disconnect from mains power supply!
- Do not submerge the motor unit in water! It could lead to electric shock or fire.
- The blades of the knife are very sharp. There is a **risk of injury!** Handle the knife with extreme care!

**⚠ CAUTION:**

- Do not use a wire brush or other abrasive utensils for cleaning.
- Do not use aggressive or abrasive cleaning agents.
- Clean the motor unit with a dry cloth without additional cleaning agents.

**Bowl, protective cover and knife****⚠ CAUTION:**

- Do not wash these accessories in the dishwasher. The surfaces may become dull.
- Do not fill the bowl with water above 60 °C.
- Wash these accessories manually in dishwater.
- Rinse with clear water and dry with a cloth.
- Assemble the Multi Chopper before storage.

**Troubleshooting****Device does not work.***Solution:*

Check mains power connection.

*Further possible causes:*

The device is fitted with a **safety switch**. This prevents accidental starting of the motor.

*Solution:*

Check that the motor unit, safety cover and blade are fitted correctly.

*Further possible causes:*

The appliance is equipped with **overheating protection**. The operating time was too long.

*Solution:*

Allow the appliance to cool before using it again.

**Not satisfied with the result?***Possible cause:*

The bowl is too full.

*Solution:*

- Reduce the amount of food in the bowl.
- Repeatedly press the switch briefly (pulse mode).

**Noise Emission**

The sound pressure level was measured close to the ear of an operator (LpA) according to DIN EN ISO 3744.

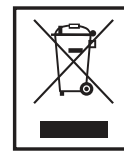
Resulting sound pressure level: approx. 85.0 dB(A) (no limit)

**Technical Data**

Model: ..... MZ 449 CB  
 Power supply: ..... 220 - 240 V~, 50/60 Hz  
 Power consumption: ..... 250 W  
 Protection class: ..... II  
 Short term operation: ..... On 60 seconds / Off 60 seconds  
 Capacity: ..... approx. 1.0 liters  
 Net weight: ..... approx. 0.875 kg

The right to make technical and design modifications in the course of continuous product development remains reserved.

This device complies with all current CE directives, such as electromagnetic compatibility and low voltage directive and is manufactured according to the latest safety regulations.

**Disposal****Meaning of the “Wheelie Bin” Symbol**

Take care of our environment, do not dispose of electrical appliances via the household waste.

Dispose of obsolete or defective electrical appliances via municipal collection points.

Please help to avoid potential environmental and health impacts through improper waste disposal.

You contribute to recycling and other forms of utilization of old electric and electronic appliances.

Your municipality provides you with information about collecting points.